

Slope front ice storage bins

Model E-300-22 – 559mm (22") wide, stores approximately 136 kg (300 lbs)

Model E-425-30 – 762mm (30") wide, stores approximately 195 kg (430 lbs)

Model E-600-42 – 1067mm (42") wide, stores approximately 246 kg (543 lbs)

Model E-650-44 – 1118mm (44") wide, stores approximately 299 kg (660 lbs)

Model E-950-48 – 1220mm (48") wide, stores approximately 431 kg (950 lbs)

Model E-1025-52 – 1321mm (52") wide, stores approximately 467kg (1030 lbs)

New! 27" deep model now available!



Model E-600-42 shown

Small to medium capacity ice storage bins for use with all major commercial icemakers. Widths from 559 to 1321mm (22" to 52") and storage capacities from approximately 136 to 454kg (300 to 1000 lbs). All models standard with stainless steel exterior. All bins include stainless tops custom-cut to accommodate virtually any ice machine.

Wide range of models to meet varied needs

- Six models to meet a wide range of space and capacity requirements
- Space-saving 559mm (22") wide E-300-22 provides perfect match for compact icemakers
- Wider bins accommodate larger icemakers and side-by-side installation of smaller cubers and flakers
- Model E-600-42 fits through narrow doorways

Convenient, user-friendly design

- Extra large door openings provide maximum access for ice removal and bin cleaning
- Extra low door sills allow users to easily reach ice at the bottom of the bin
- 801mm (31.5") depth ensures that all models fit through standard 813mm (32") door. Model E-600-42 is 690mm (27") deep and will fit through 710mm (28") door.

Quality construction features

- Stainless steel exterior standard
- Heavy-duty welded steel shell and frame support even heavy stacks of icemakers
- Non-CFC polyurethane foam insulation bonds shell and liner for additional rigidity and provides optimal insulation
- Stainless steel bin tops are custom cut for specific icemaker(s) to be used
- Rigid stainless steel lift doors with non-staining ABS interior panel are insulated with non-CFC foam polyurethane to withstand heavy use
- Durable, non-corroding polyethylene liners ensure long life
- Fully replaceable gasket seals door opening to reduce meltage

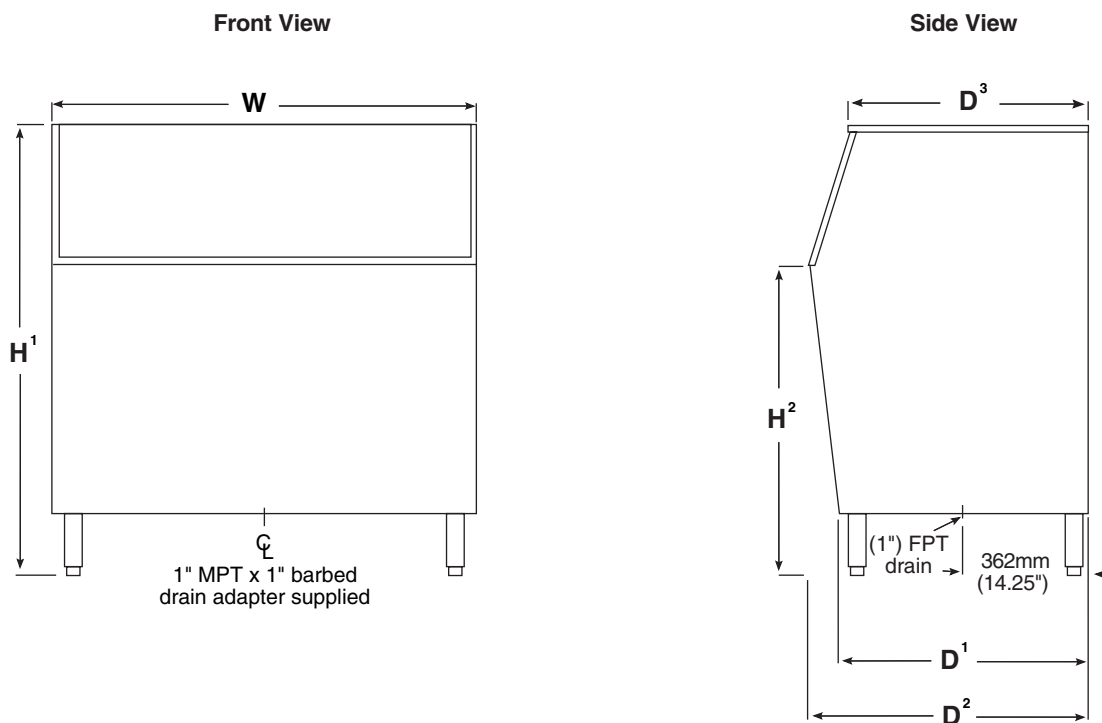
Accessories

- 153mm (6") stainless steel legs (item# ABSPECLEGS)
- 204mm (8") legs (standard on E-300-22)

Job: _____

Item: _____

Slope front ice storage bins



General Notes

- Follett recommends installation of a floor drain with grate with all ice storage bins

Model Number	Cubic Volume m (cu ft)	Max. Bin Cap. kg (lb)	Width (W) mm (in)	Depth (D¹) mm (in)	Depth (D²) mm (in)	Depth (D³) mm (in)	Height (H¹) with Legs mm (in)	Door Sill Height (H²) mm (in)	Req'd Door Access mm (in)	Approx. Ship Wt. kg (lb)
E-300-22	.27 (9.6)	136 (300)	559 (22)	750 (29.50)	801 (31.5)	693 (27.25)	1067 (42.0)	674 (26.5)	559 (22)	54 (133)
E-425-30	.39 (13.8)	195 (430)	762 (30)	750 (29.50)	801 (31.5)	693 (27.25)	1016 (40.0)	623 (24.5)	788 (31)	65 (144)
E-600-42	.51 (18.1)	246 (543)	1080 (42)	686 (27.00)	686 (27.0)	625 (24.60)	1020 (40.1)	739 (29.1)	710 (28)	70 (154)
E-650-44	.59 (20.8)	299 (660)	1118 (44)	750 (29.50)	801 (31.5)	693 (27.25)	1016 (40.0)	623 (24.5)	813 (32)	81 (178)
E-950-48*	.85 (30.1)	431 (950)	1220 (48)	718 (28.25)	801 (31.5)	693 (27.25)	1270 (50.0)	877 (34.5)	813 (32)	94 (207)
E-1025-52*	.92 (32.6)	467 (1030)	1321 (52)	718 (28.25)	801 (31.5)	693 (27.25)	1270 (50.0)	877 (34.5)	813 (32)	93 (204)

*Notes:

Add 1.625" (42mm) to depth and 10 lbs (4.5kg) to shipping weight when drain pan accessory is required.

Specifications Ice storage bin to be Follett model _____. Cubic capacity to be _____, to hold approximately _____ kg/lbs of ice. Outside dimensions of bin to be _____ wide, _____ deep and _____ high, including legs. Construction to be of welded steel shell and frame. Exterior finish to be stainless steel front and sides with galvanized steel back and bottom. Bin to have non-corroding polyethylene liner. Bin insulation to be non-CFC polyurethane foam, bonded to shell and liner for added structural strength. Bin top to be stainless steel and to be custom cut for specific icemaker(s) to be used. Lift door to have stainless steel exterior and ABS interior, bonded together with non-CFC polyurethane foam for extra rigidity and strength. Bin to have conveniently low door sill height to allow easy access to ice in the bottom of the bin. Door opening to be completely sealed with fully replaceable gasketing. Drain to be 1" FPT rigid PVC. Bin to be equipped with 153mm (6") legs (model 300-22 has 204mm (8") legs).

Follett reserves the right to change specifications at any time without obligation. Certifications may vary depending on country of origin.