

CRUSHMAN 360

Ice crusher up to 144 kg output

Item #:
Project:
Quantity:



FEATURES

- Simple to use.
- It converts all kinds of cube ice into different-size granules by means of a simple mechanical adjustment.
- Compact design.
- Built entirely in stainless steel 18/10.
- It is fitted with microswitches both on the lid and on the door.
- GN 1/3 H 150 mm granule basin.
- Removable drip tray.

INTERNAL BIN CAPACITY

3.5 kg

REFRIGERANT GAS

No gas

VOLTAGE V/Hz/ph

230/50/1
230/60/1

OPERATING REQUIREMENTS

	Minimum	Maximum
Air temperature	10°C	38°C
Water temperature	5°C	38°C
Water pressure	1 bar (14 psi)	5 bar (70 psi)
Electrical voltage	-10%	+10%

Certifications:



IMPORTANT NOTICE:
Models and specifications are subject to change without notice. This spec sheet is meant for commercial purpose only. For technical documentation please refer to our service manuals.

Download our free App Scotsman Ice
Apple store
Google play
Windows store



www.scotsman-ice.it
www.scotsman-ice.com

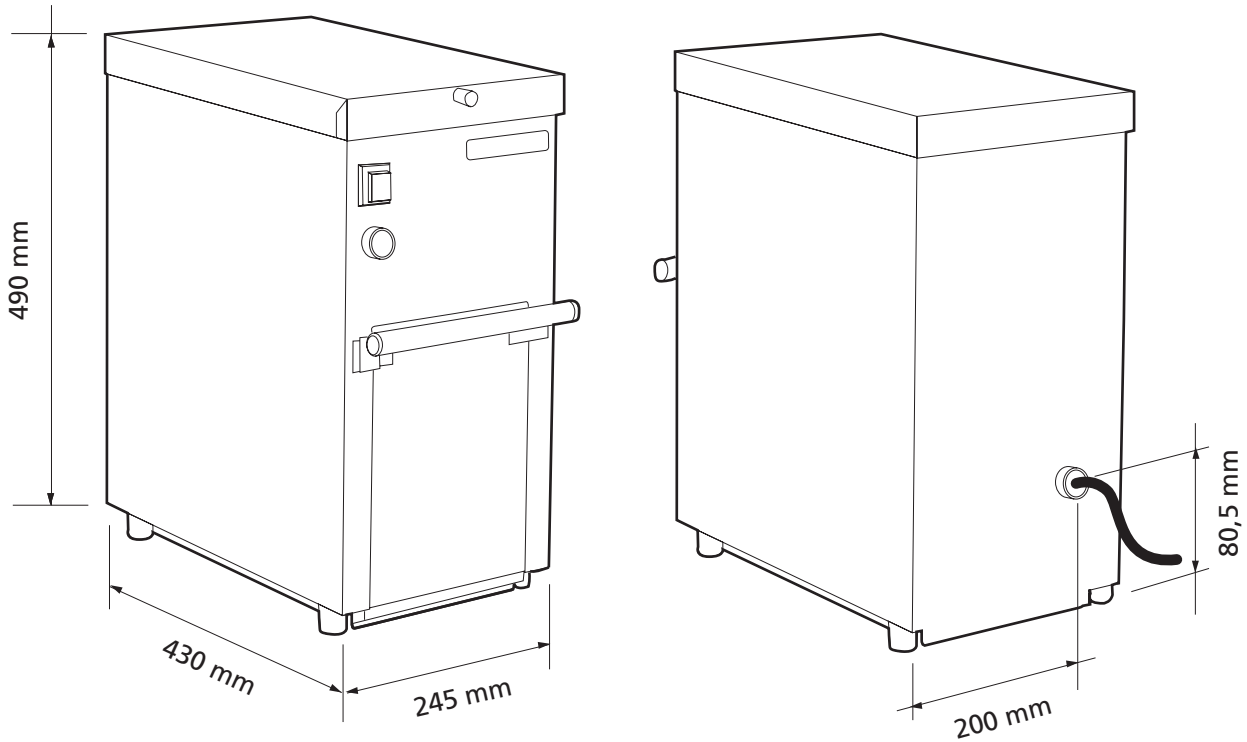
Ice crusher up to 144 kg output

CRUSHMAN 360

Ice crusher up to 144 kg output

Item #:
Project:
Quantity:

Ice crusher up to 144 kg output



UNIT DATA	
Size (W x D x H)	245 x 430 x 490 mm
Net weight	23 kg
SHIPPING DATA	
Carton (W x D x H)	300 x 480 x 540 mm
Weight	28 kg

		Output	Energy Consumption
Version	Voltage	kg/24h	kWh/24h
CRUSHMAN 360	230/50/1	144	0.2
CRUSHMAN 360	230/60/1	144	0.2