

HD 30

Ice Dispensing Bin up to 81 kg bin capacity

Item #:
Project:
Quantity:



FEATURES

- Simple "Push" ice chute activates ice dispensing mechanism.
- Modern, stylish design in a stainless steel cabinet.
- Removable top panel allows easy access to the bin for routine cleaning.
- Improved drip tray depth will accommodate most sizes of hotel ice buckets.
- Equipped with a 5 mt (16 ft.) power cord.
- Polyurethane insulation: foam insulation is forced between the dispenser stainless steel panels and liner under heat and pressure to form a perfect "wall-to-wall" bond, preserving ice supply for longer periods.

INTERNAL BIN CAPACITY

81 kg

VOLTAGE V/Hz/ph

115/60/1
230/50/1

MATCHING ICE MACHINE OPTIONS

Dispenser	Ice Machine	Max daily production	Cube size	Condensing system
HD 30	C 0530	225 kg	Medium Small	Air cooled Water cooled
	NW 458	215 kg	Dice Half Dice	Air cooled Water cooled
	NW 608	320 kg		

OPERATING REQUIREMENTS

	Minimum	Maximum
Electrical voltage	-10%	+10%

Certifications:



IMPORTANT NOTICE:
Models and specifications are subject to change without notice. This spec sheet is meant for commercial purpose only. For technical documentation please refer to our service manuals.

Download our free App Scotsman Ice
Apple store
Google play
Windows store



www.scotsman-ice.it
www.scotsman-ice.com

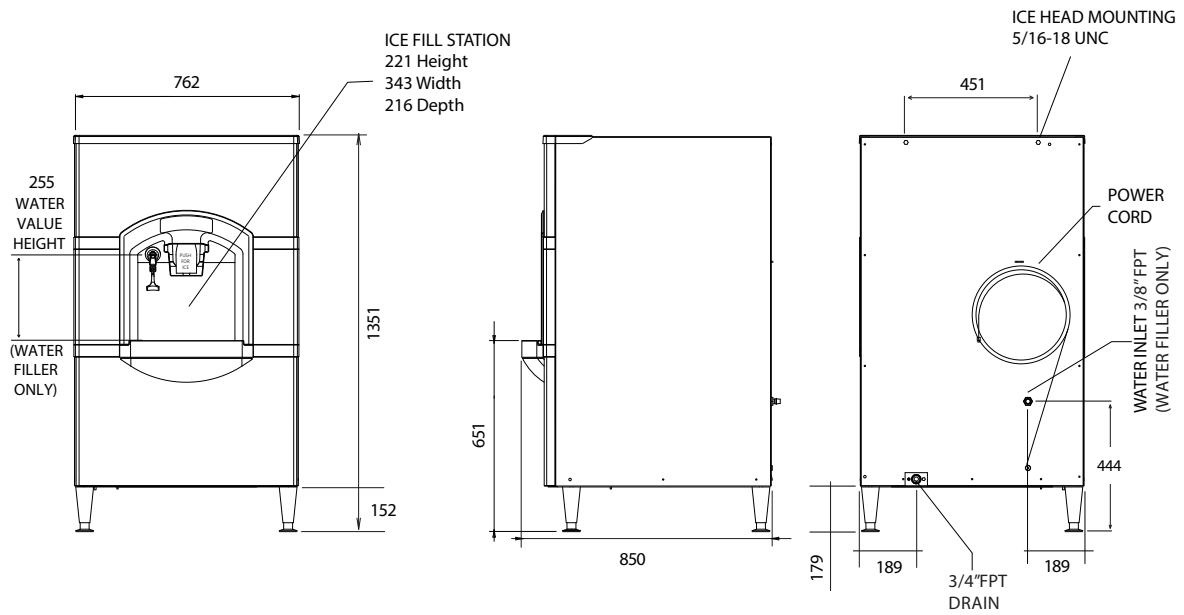
Ice Dispensing Bin up to 81 kg bin capacity

HD 30

Ice Dispensing Bin
up to 81 kg bin capacity

Item #:
Project:
Quantity:

Ice Dispensing Bin up to 81 kg bin capacity



UNIT OF MEASUREMENT: mm

UNIT DATA	Circuit wires				Max. fuse size	
	Version	Voltage	No.	Ømm ²	A	
Size (W x D x H)	762 x 850 x 1351 mm	HD 30	230/50/1	3	1.3	
Net weight	95 kg	HD 30	115/60/1	3	1.3	15
SHIPPING DATA						
Carton (W x D x H)	838 x 940 x 1346 mm					
Weight	102 kg					