

JOKER

with ST control, fresh steam system and water tank module 6-23,
6-43, 6-11



HIGHLIGHTS

- **MODULARITY**
Configuration options based on actual requirements
- **CAPACITY**
Maximum use of space with minimum external dimensions, with a cavity 44 cm wide and 40 cm high
- **FLEXIBILITY**
Selectable control position, based on available space
- **DESIGN MODULE**
Form follows function.
Clean lines, clear touch screen, simple operation

JOKER with ST module, fresh steam system and water tank module - 6-23, 6-43, 6-11

Device data

	Type	6-23	6-43	6-11
Material		1.4301	1.4301	1.4301
Device dimensions				
Control on top, stop on the left / right (WxDxH) [mm]		520 x 625 x 805	520 x 755 x 805	520 x 805 x 805
Control on the right / stop on the left / right (WxDxH) [mm]		650 x 625 x 672	650 x 755 x 672	650 x 805 x 672
Weight [kg]		85	95	98
Weight, with packaging [kg]		101	112	115

	Type	6-23	6-43	6-11
Capacity				
Number of inserts		5+1 x GN 2/3	4+1 x BN 43	5+1 x GN 1/1
Cavity volume [l]		65	88	96
Insert spacing [mm]		67	84	67

Electrical connection

	Type	6-23	6-43	6-11
Voltage 200 V ... 230 V 1 NAC				
Power requirement [kW]		3.6	-	-
Rated current [A]		15.7	-	-
Fuse protection		1 x 16 A	-	-
Residual-current circuit breaker		Type B	-	-
Tripping current [mA]		30	-	-
Cable cross section (recommended) [mm ²]		1.5	-	-
Voltage 380 V ... 415 V 3 NAC				
Power requirement [kW]		5.8	7.7	7.7
Rated current [A]		8.4	11.2	11.2
Fuse protection		3 x 10 A	3 x 16 A	3 x 16 A
Residual-current circuit breaker		Type B	Type B	Type B
Tripping current [mA]		30	30	30
Cable cross section (recommended) [mm ²]		1.5	1.5	1.5

Heat output, heat emissions

	Type	6-23	6-43	6-11
Heat, latent [MJ/h (kW)]		2.3 (0.6)	3.0 (0.8)	3.0 (0.8)
Heat, sensitive [MJ/h (kW)]		1.6 (0.4)	2.1 (0.6)	2.1 (0.6)
Noise [db (A)]		<70	<70	<70

Setting up

Safety distance [mm]	rear	min. 50
	right	min. 50
	left	min. 50
Minimum clearance [mm]	to combi steamers, ovens, COMPACT PROs	min. 50
	to deep fryers, open/hot fat/oil, heat sources, gas appliances	min. 1000

Water tanks

Fresh water tank	
Capacity [l]	6.5
Maximum operating time at 100% humidity [h]	1.5
Material	Stainless steel
Waste water tank	
Capacity [l]	5
Material	Stainless steel

Water quality	
General requirement:	Drinking water
Total hardness [°dh]	≤ 3
[ppm]	70 - 125
[°TH]	7 - 13
[°e]	5 - 9
pH value	7.0 - 8.5
Cl (chlorine) [mg/l]	max. 60
Cl ₂ (free chlorine) [mg/l]	max. 0.2
SO ₄ ²⁻ (sulphate) [mg/l]	max. 150
Fe (iron) [mg/l]	max. 0.1
Temperature [°C]	max. 40
electrical conductivity [µS/cm]	20 - 90

Approvals, marks of conformity

Design module	as per DIN 18866-2
Manufacturer's certificate	CE conformity
Protection class	IPX5

Equipment

- 8 operating modes
- 7" capacitive screen
- Rotary encoder
- USB interface
- Internal core temperature probe with 4 measuring points
- Supply air/exhaust air
- Frequency converter
- LED/triple glazing
- Quick-action door closure
- Adjustable air deflector
- Inner and outer housing made of rustproof stainless steel
- Seamless hygienic cooking chamber
- IPX 5

Manual cooking

- Temperature, adjustable between 30°C - 300°C - to the exact degree
- Humidity can be exactly adjusted between 0 - 100%
- Time, adjustable up to 24 hours, including continuous operation
- Core temperature, adjustable between 20°C - 100°C - to the exact degree
- Manual humidification
- Steptronic®
- Step overview
- Numeric memory function
- ADC - Active dehumidification in 5 stages
- Fan speed in 5 increments
- Timed fan speeds
- Preheat function with temperature specification
- E/2 Energy saving function
- SPS® - Steam Protection System
- Timer function: Start time input up to 24 hours
- Display of actual/target temperature
- Changing settings during operation
- Stop Preheat during operation

Programme list with max. 99 programs, with 9 steps each

Cool Down function: Auto-Temp (default setting)

Cool Down function: Adjustable Manual-Temp

Special programs:

- Low-temperature cooking
- Delta-T cooking
- Regenerating

Cleaning & Care - manual cleaning supported

Settings & Service:

- Language setting in 25 languages
- Time and date setting
- Data and HACCP logging and display
- Automated cleaning and maintenance notices
- Sound manager
- Program manager
- Setting options

Additional module: Design module

- Unit back cover
- Unit colour*
* Minimum order quantity: 10 devices

Device options

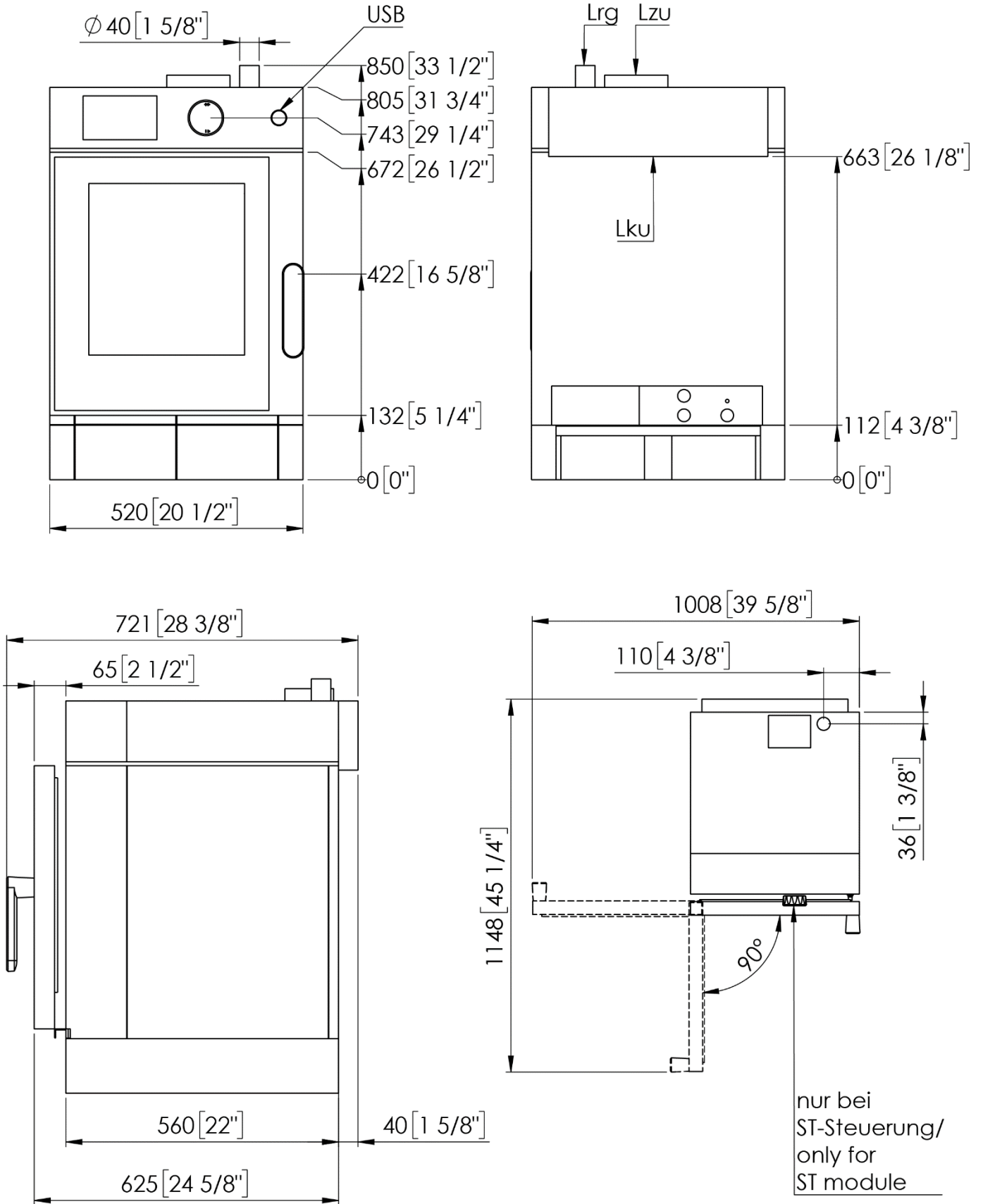
- Device feet
- Safety door latch
- Electric door latch
- External core temperature probe
- LAN
- WLAN
- Energy optimization connection
- Connection of potential-free contact to control third-party appliances (e.g. external extractor hoods)
- Special voltages

Accessories

- Multi-Eco condensation hood
- Kombimix kits, base frames and Multi-Eco condensation hoods for Mix stations
- Various racks
- Base frames
- Various trays, grills and containers
- ProConnect

JOKER with ST module, fresh steam system and water tank module - 6-23, 6-43, 6-11

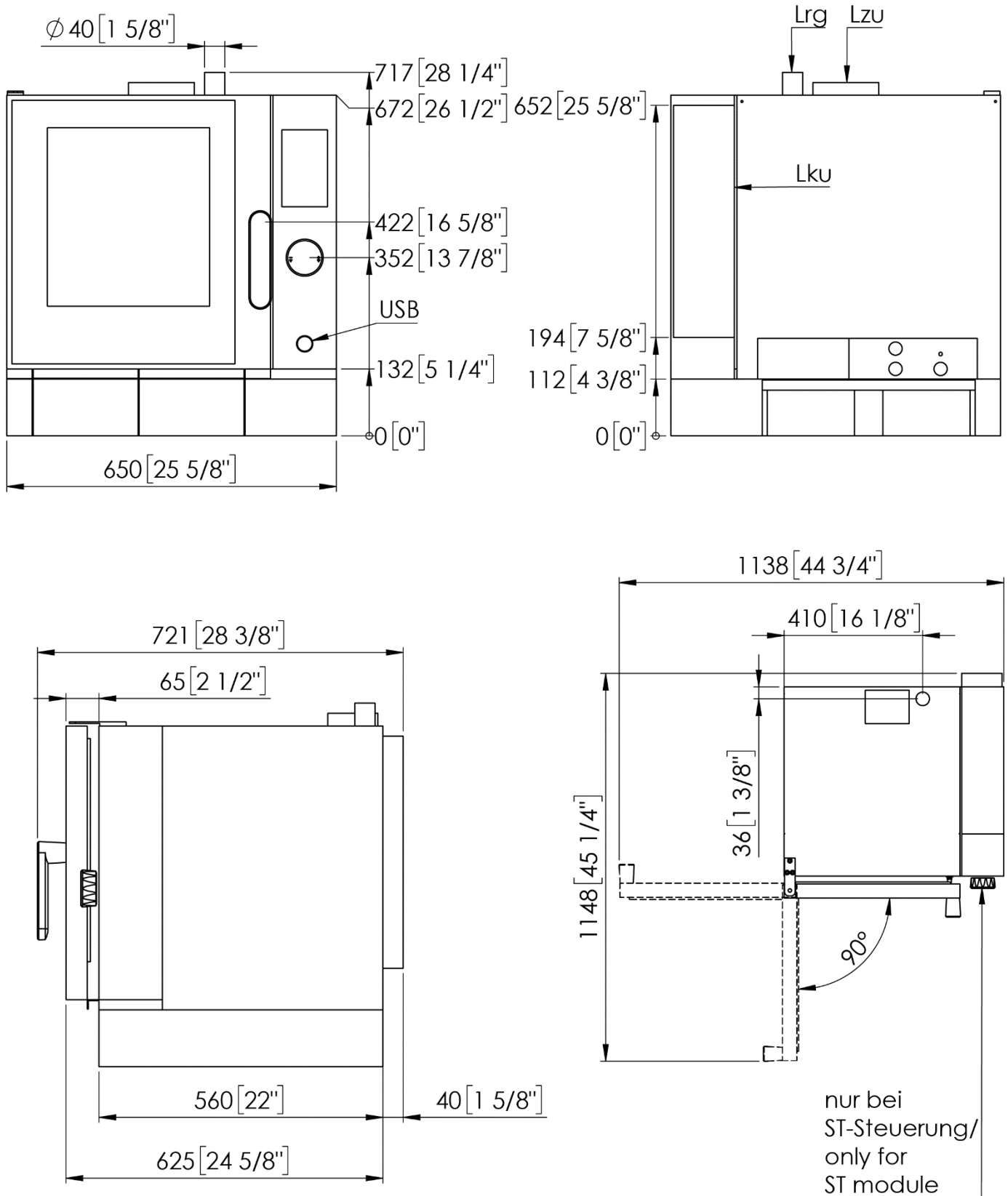
Dimensioned drawing 6-23, door stop on the left, control on top



- Lzu Zuluftöffnung / Supply air opening
- Lku Luftansaugschacht Gerätekühlung/
Air intake for cooling
- Lrg Abluftrohr / Exhaust air pipe
- USB USB-Buchse / USB port

JOKER with ST module, fresh steam system and water tank module - 6-23, 6-43, 6-11

Dimensioned drawing 6-23, door stop on the left, control on the right

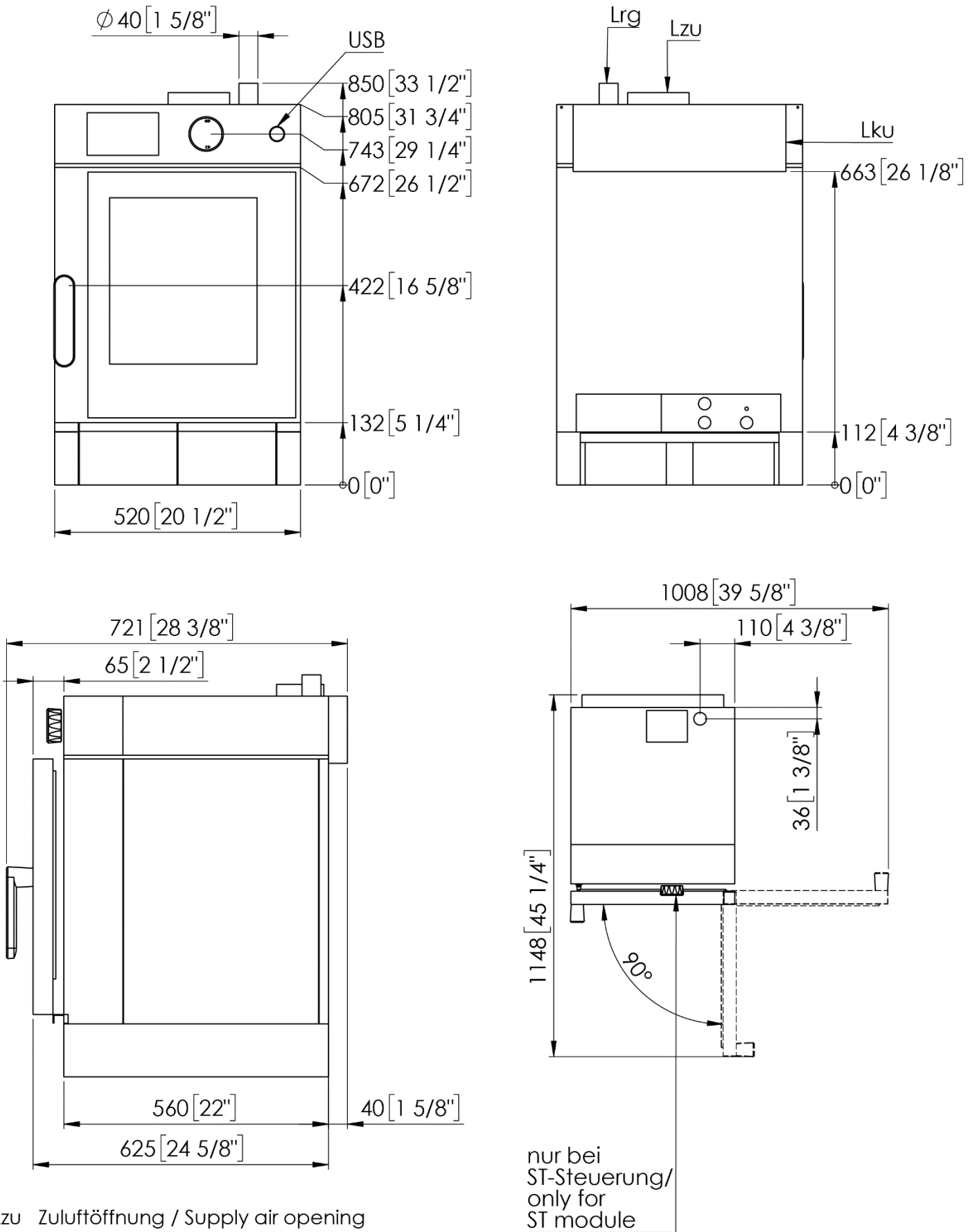


nur bei
ST-Steuerung/
only for
ST module

- Lzu Zuluftöffnung / Supply air opening
- Lku Luftansaugschacht Gerätekühlung/
Air intake for cooling
- Lrg Abluftrohr / Exhaust air pipe
- USB USB-Buchse / USB port

JOKER with ST module, fresh steam system and water tank module - 6-23, 6-43, 6-11

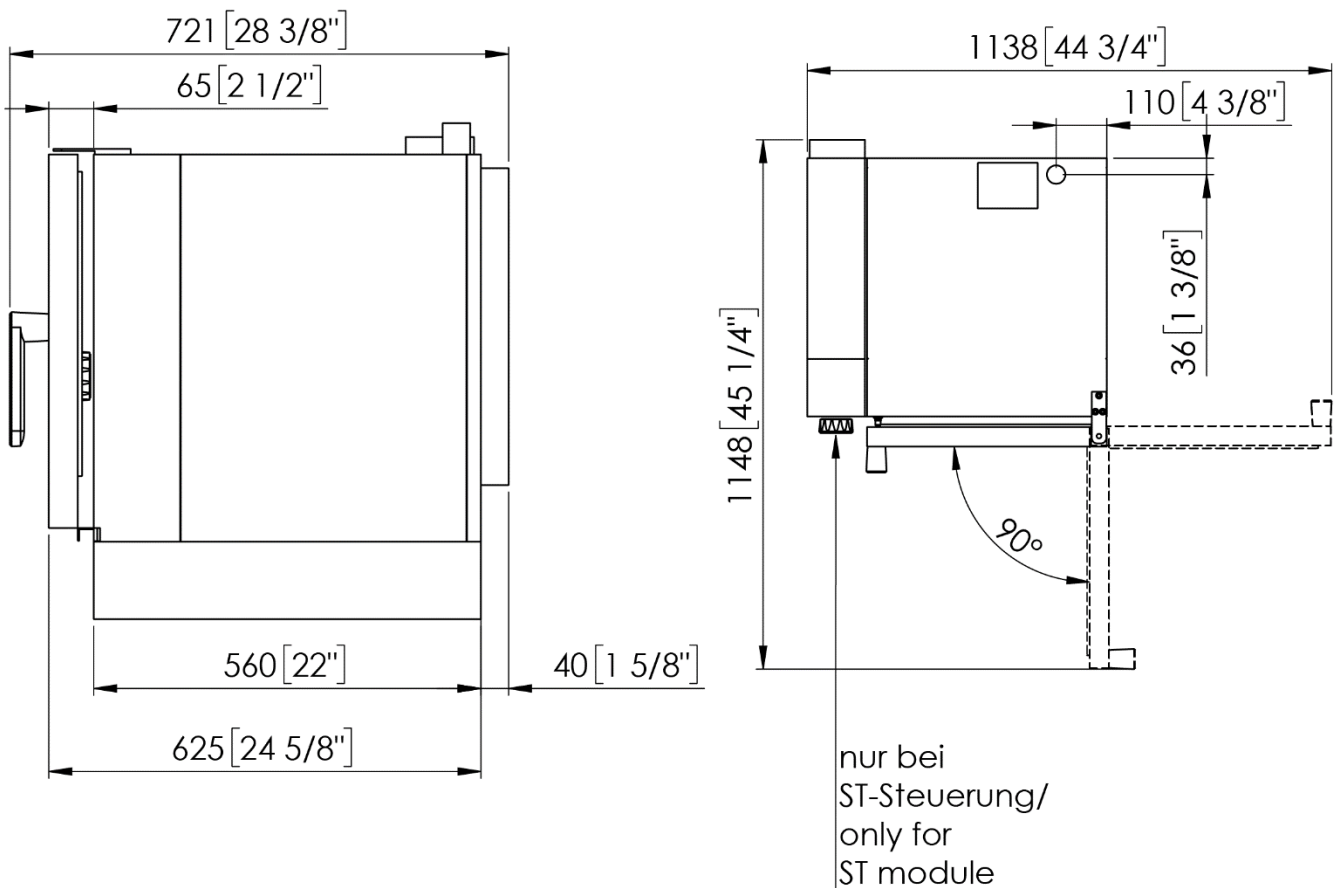
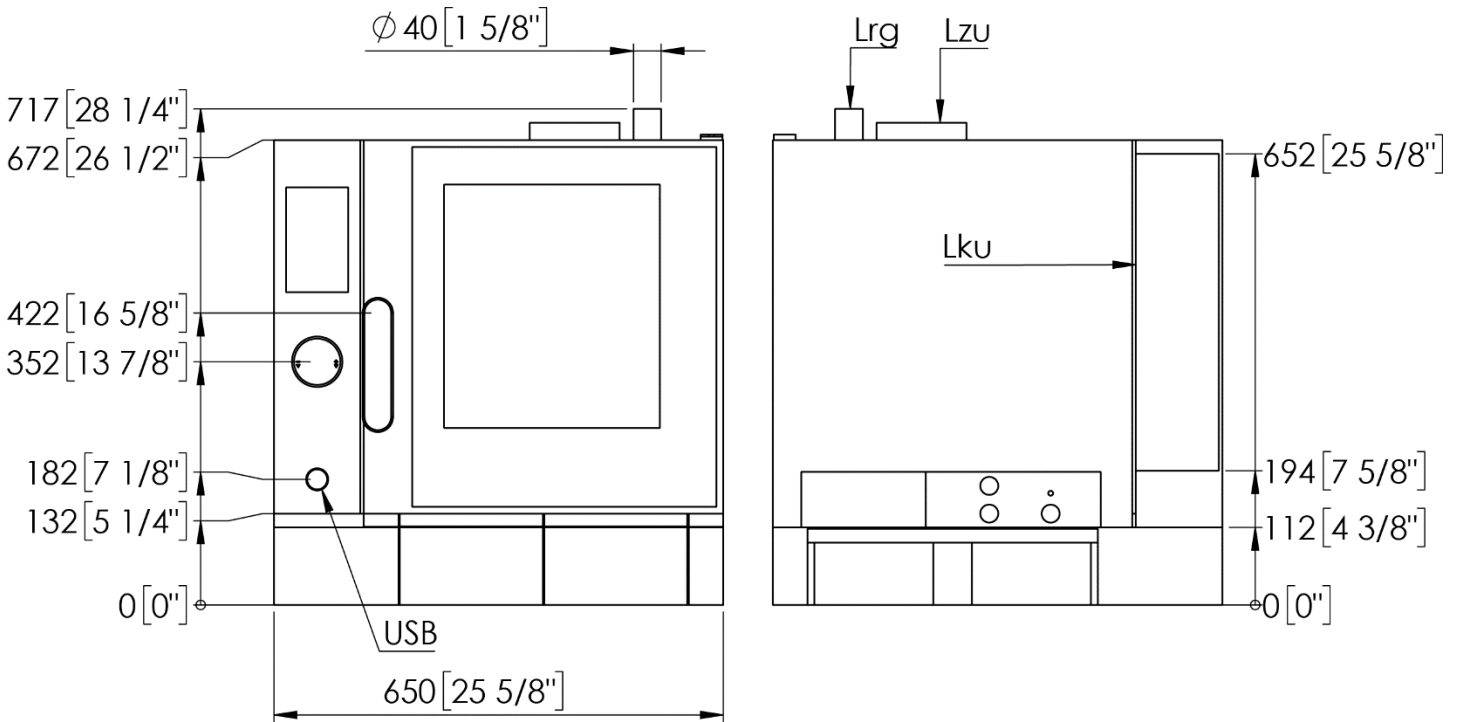
Dimensioned drawing 6-23, door stop on the right, control on top



- Lzu Zuluftöffnung / Supply air opening
- Lku Luftansaugschacht Gerätekühlung/
Air intake for cooling
- Lrg Abluftrohr / Exhaust air pipe
- USB USB-Buchse / USB port

JOKER with ST module, fresh steam system and water tank module - 6-23, 6-43, 6-11

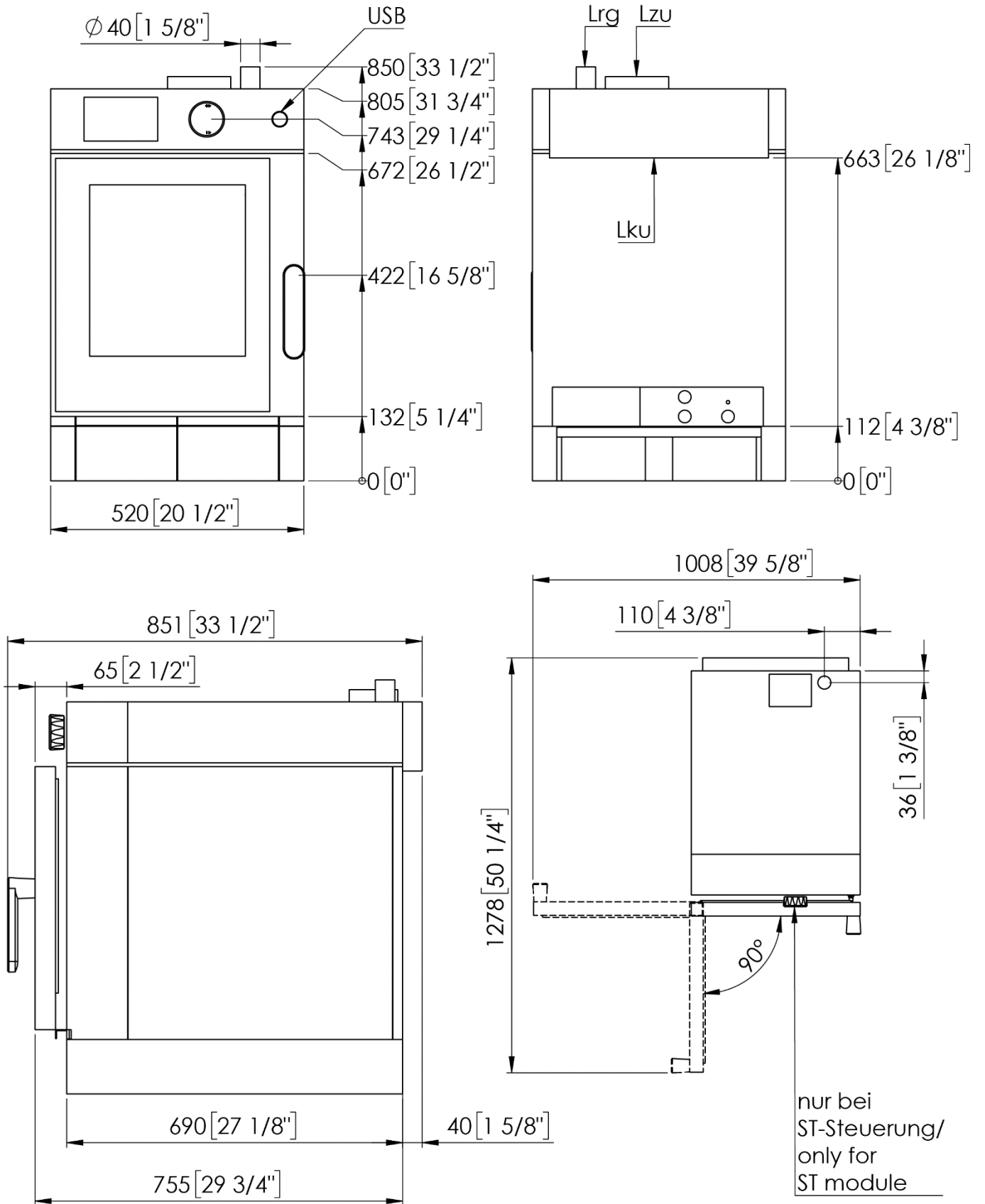
Dimensioned drawing 6-23, door stop on the right, control on the left



- Lzu Zuluftöffnung / Supply air opening
- Lku Luftansaugschacht Geräte Kühlung / Air intake for cooling
- Lrg Abluftrohr / Exhaust air pipe
- USB USB-Buchse / USB port

JOKER with ST module, fresh steam system and water tank module - 6-23, 6-43, 6-11

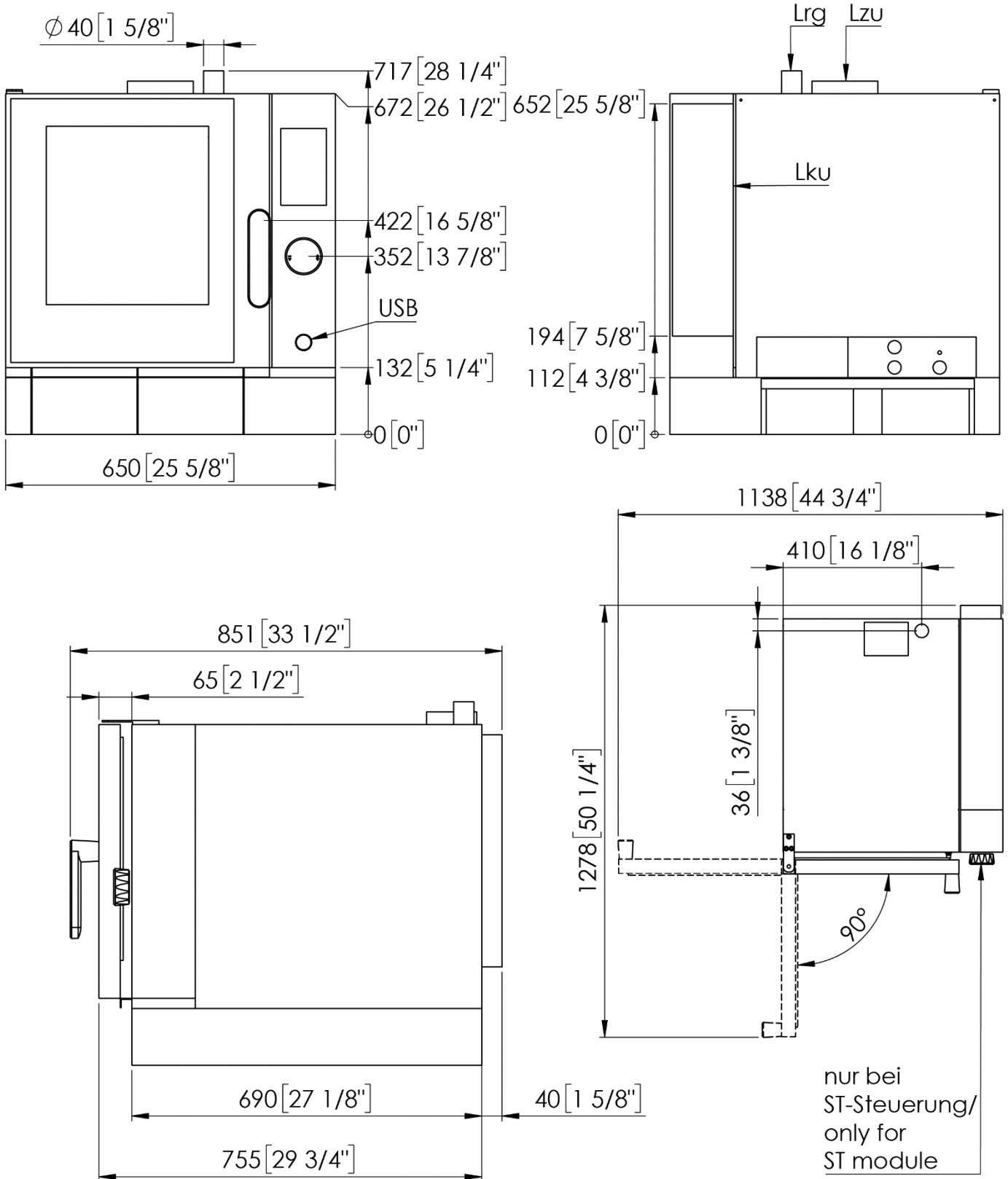
Dimensioned drawing 6-43, door stop on the left, control on top



- Lzu Zuluftöffnung / Supply air opening
- Lku Luftansaugschacht Gerätekühlung / Air intake for cooling
- Lrg Abluftrohr / Exhaust air pipe
- USB USB-Buchse / USB port

JOKER with ST module, fresh steam system and water tank module - 6-23, 6-43, 6-11

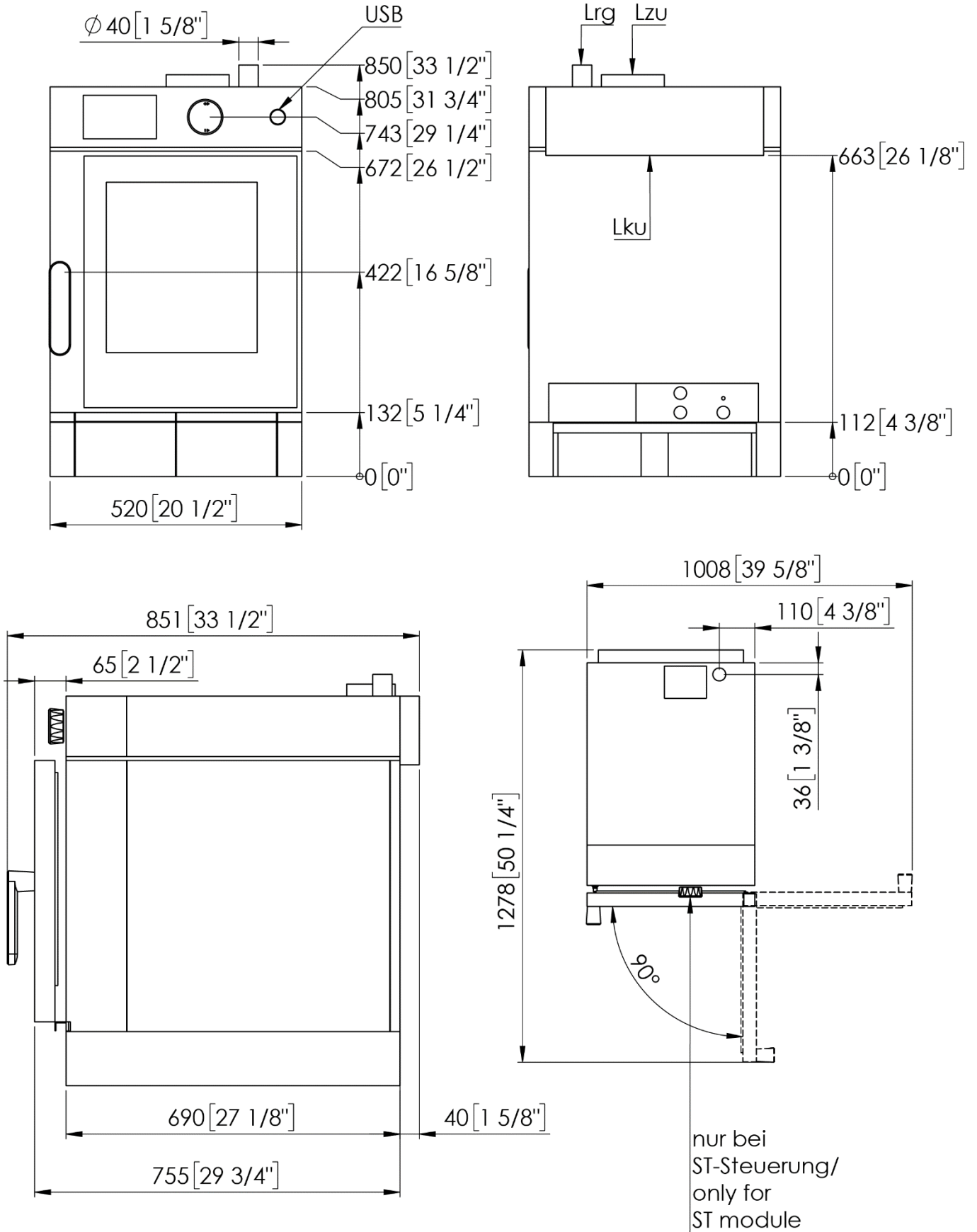
Dimensioned drawing 6-43, door stop on the left, control on the right



- Lzu Zuluftöffnung / Supply air opening
- Lku Luftansaugschacht Gerätekühlung /
Air intake for cooling
- Lrg Abluffrohr / Exhaust air pipe
- USB USB-Buchse / USB port

JOKER with ST module, fresh steam system and water tank module - 6-23, 6-43, 6-11

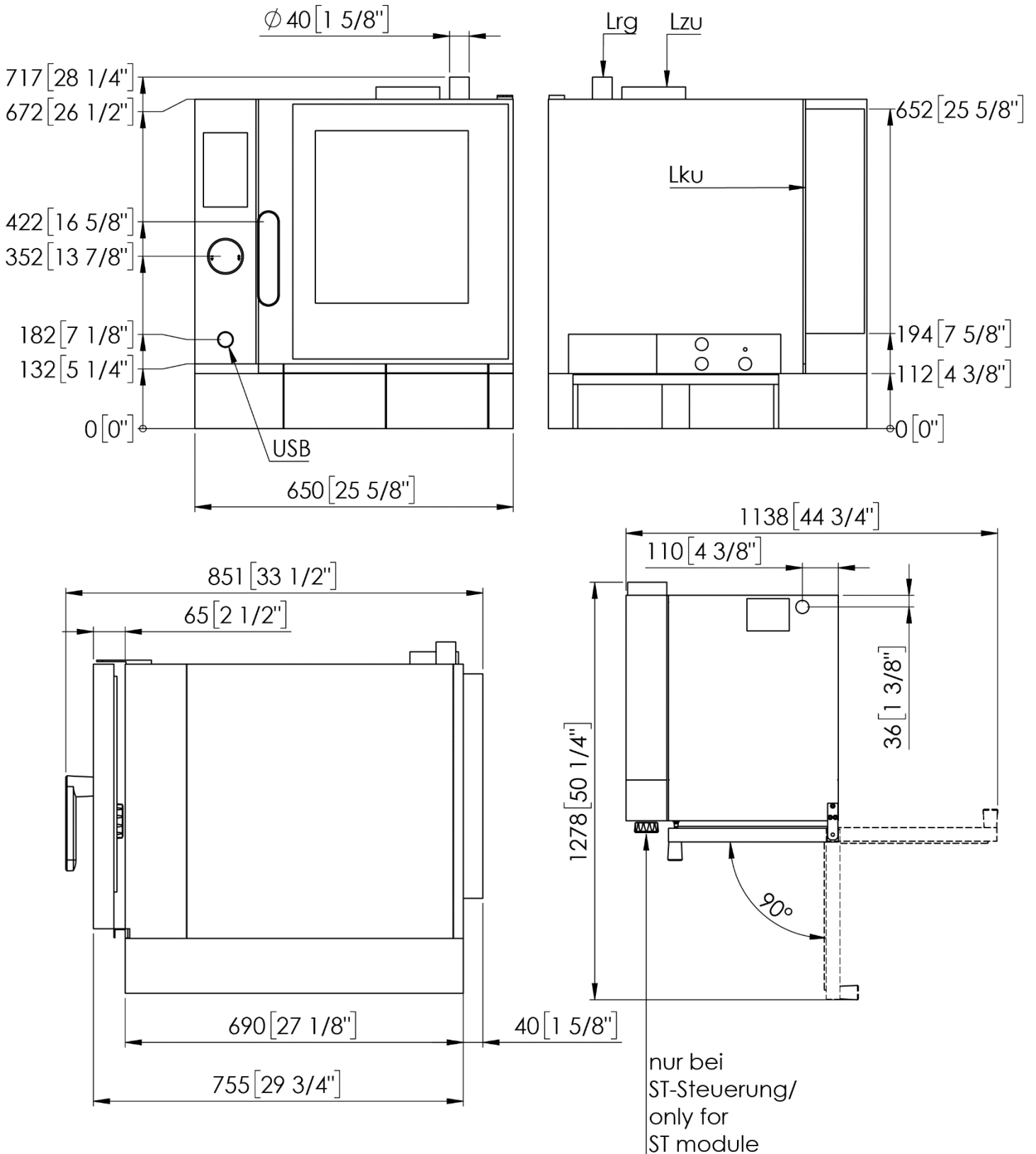
Dimensioned drawing 6-43, door stop on the right, control on top



- Lzu Zuluftöffnung / Supply air opening
- Lku Luftansaugschacht Geräte Kühlung / Air intake for cooling
- Lrg Abluftrohr / Exhaust air pipe
- USB USB-Buchse / USB port

JOKER with ST module, fresh steam system and water tank module - 6-23, 6-43, 6-11

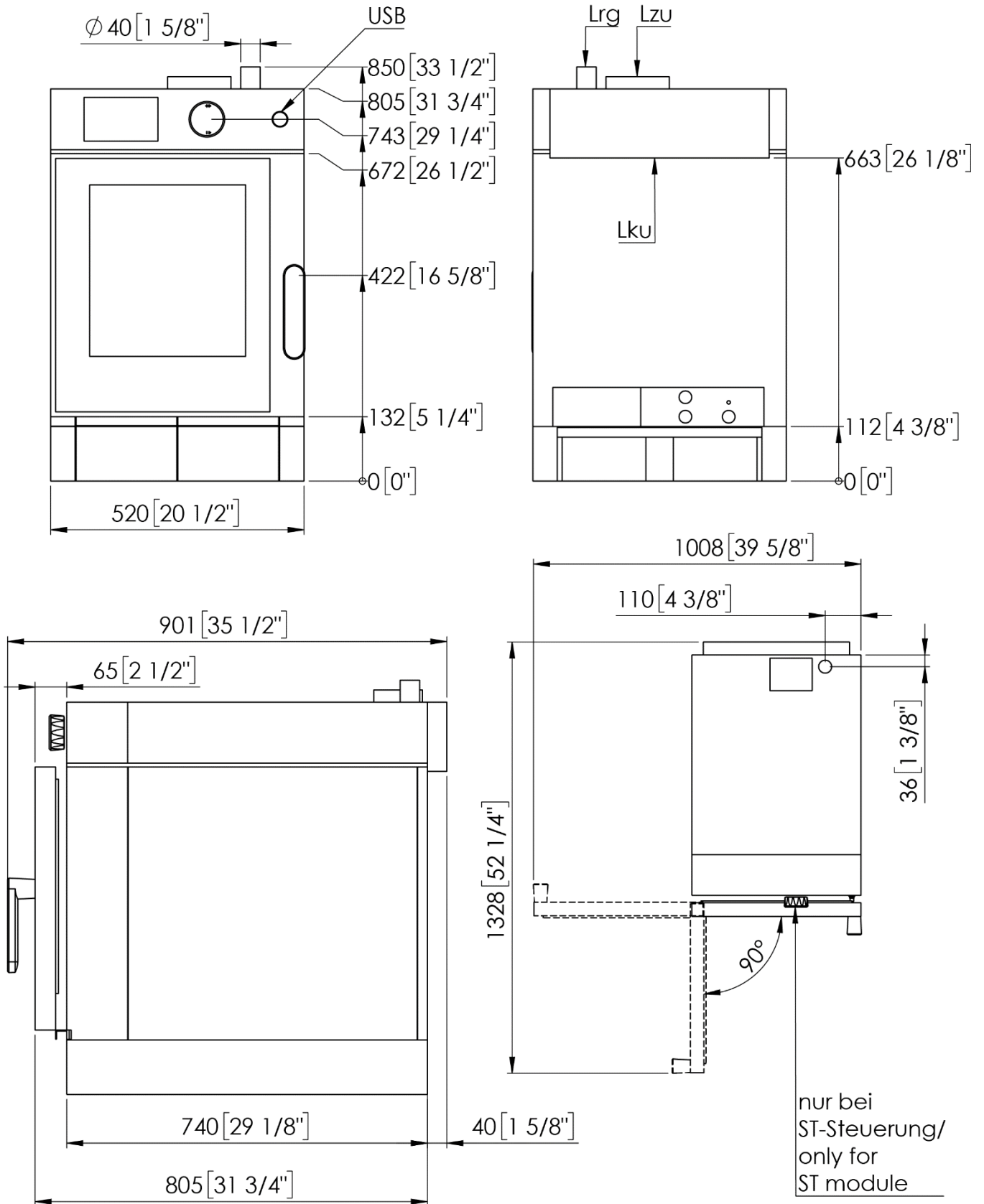
Dimensioned drawing 6-43, door stop on the right, control on the left



- Lzu Zuluftöffnung / Supply air opening
- Lku Luftansaugschacht Gerätekühlung /
Air intake for cooling
- Lrg Abluftrohr / Exhaust air pipe
- USB USB-Buchse / USB port

JOKER with ST module, fresh steam system and water tank module - 6-23, 6-43, 6-11

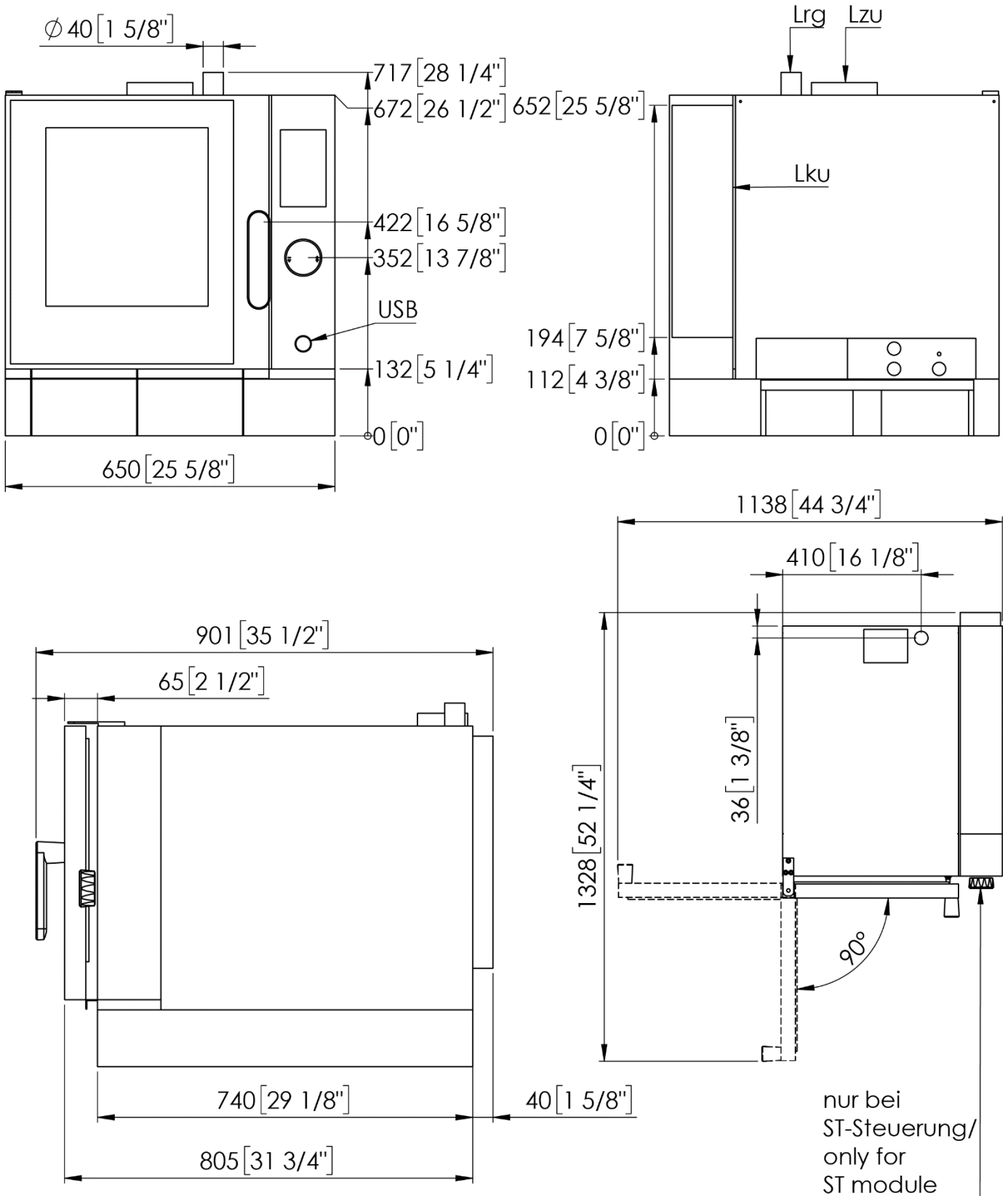
Dimensioned drawing 6-11, door stop on the left, control on top



- Lzu Zuluftöffnung / Supply air opening
- Lku Luftansaugschacht Gerätekühlung/
Air intake for cooling
- Lrg Abluftrohr / Exhaust air pipe
- USB USB-Buchse / USB port

JOKER with ST module, fresh steam system and water tank module - 6-23, 6-43, 6-11

Dimensioned drawing 6-11, door stop on the left, control on the right

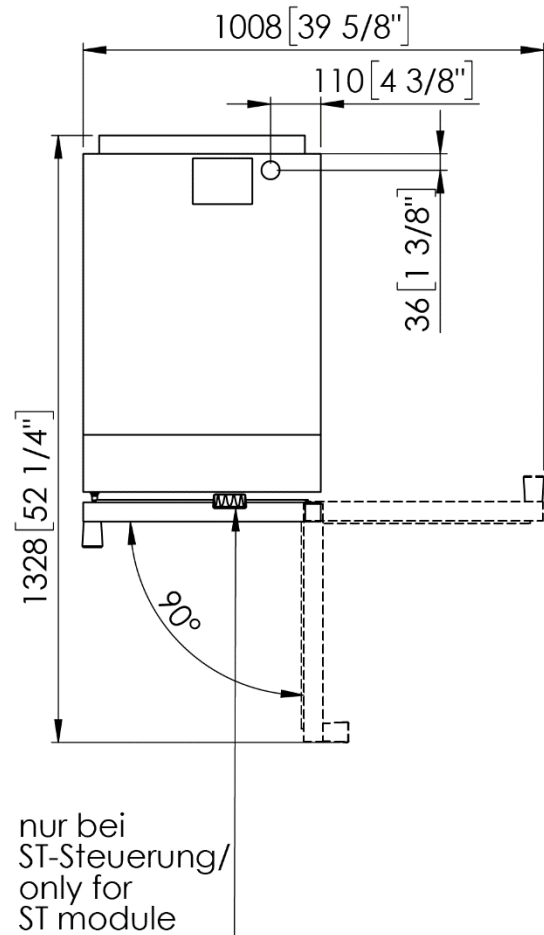
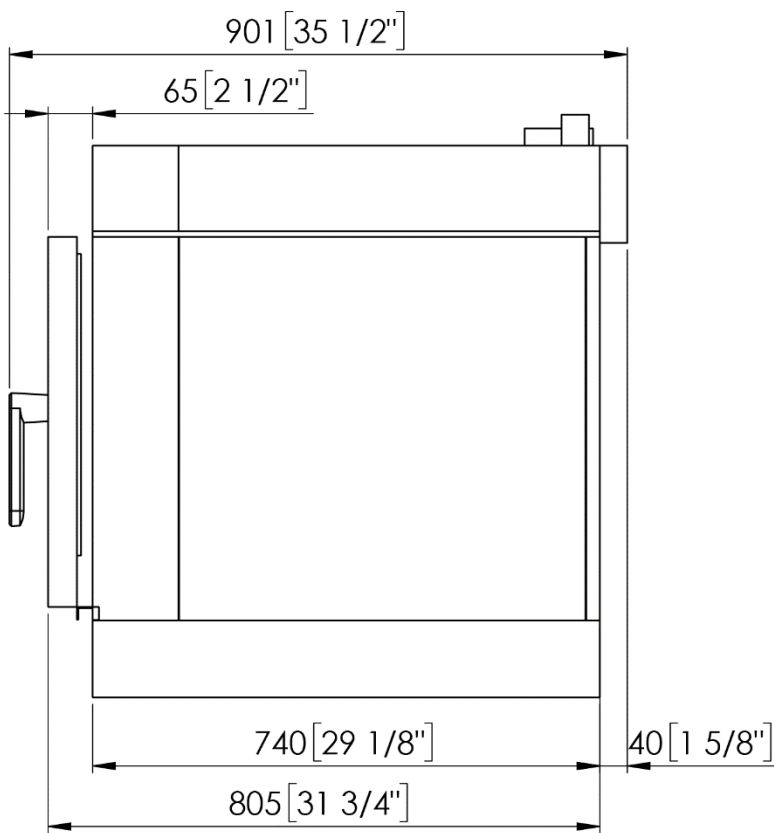
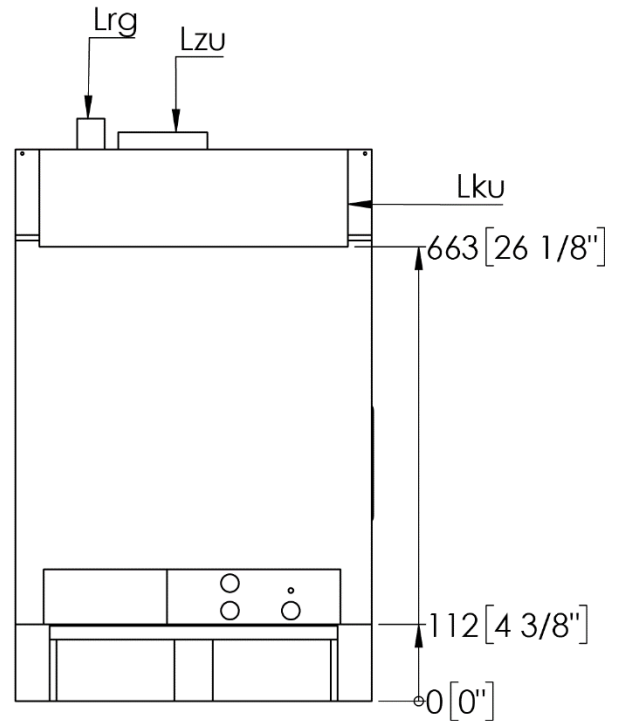
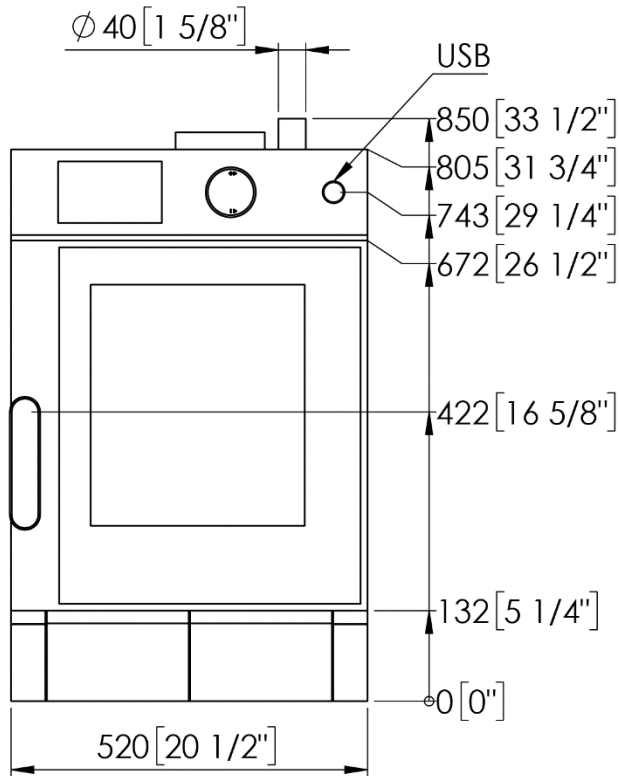


nur bei
ST-Steuerung/
only for
ST module

- Lzu Zuluftöffnung / Supply air opening
- Lku Luftansaugschacht Gerätekühlung/
Air intake for cooling
- Lrg Abluftrohr / Exhaust air pipe
- USB USB-Buchse / USB port

JOKER with ST module, fresh steam system and water tank module - 6-23, 6-43, 6-11

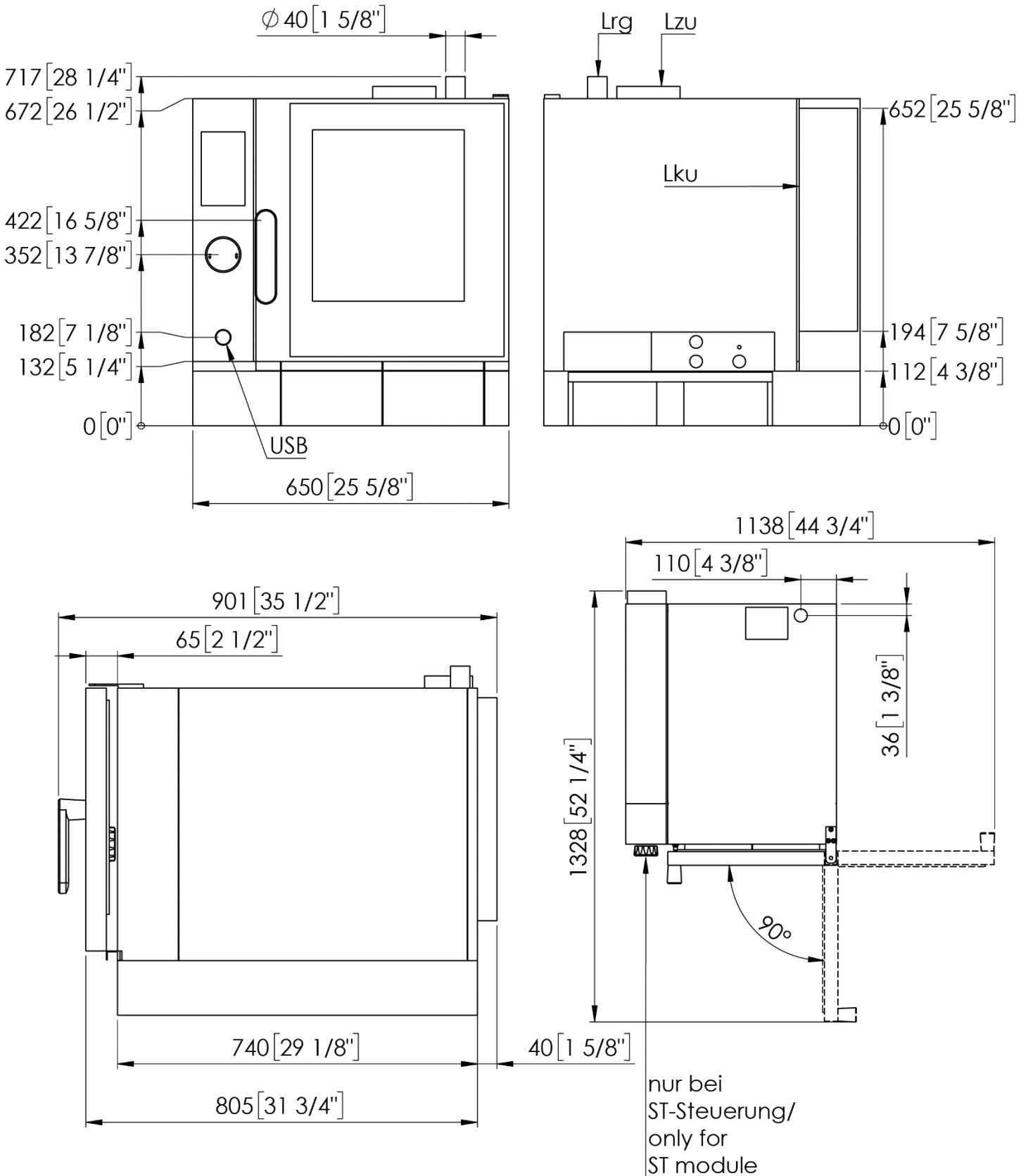
Dimensioned drawing 6-11, door stop on the right, control on top



- Lzu Zuluftöffnung / Supply air opening
- Lku Luftansaugschacht Geräte Kühlung / Air intake for cooling
- Lrg Abluftrohr / Exhaust air pipe
- USB USB-Buchse / USB port

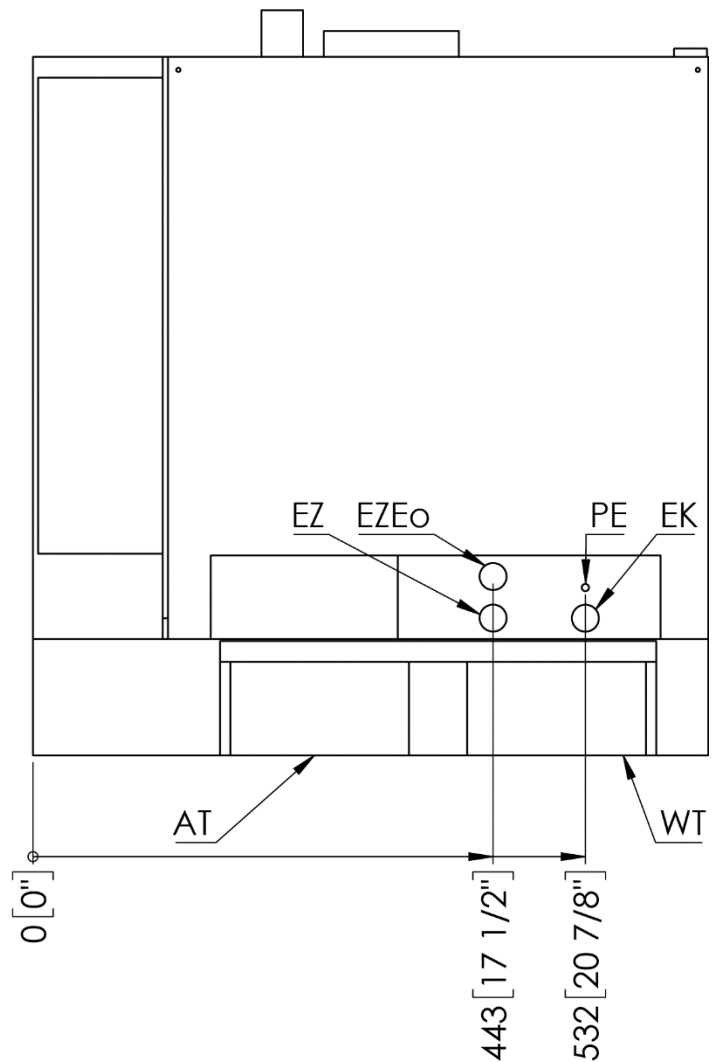
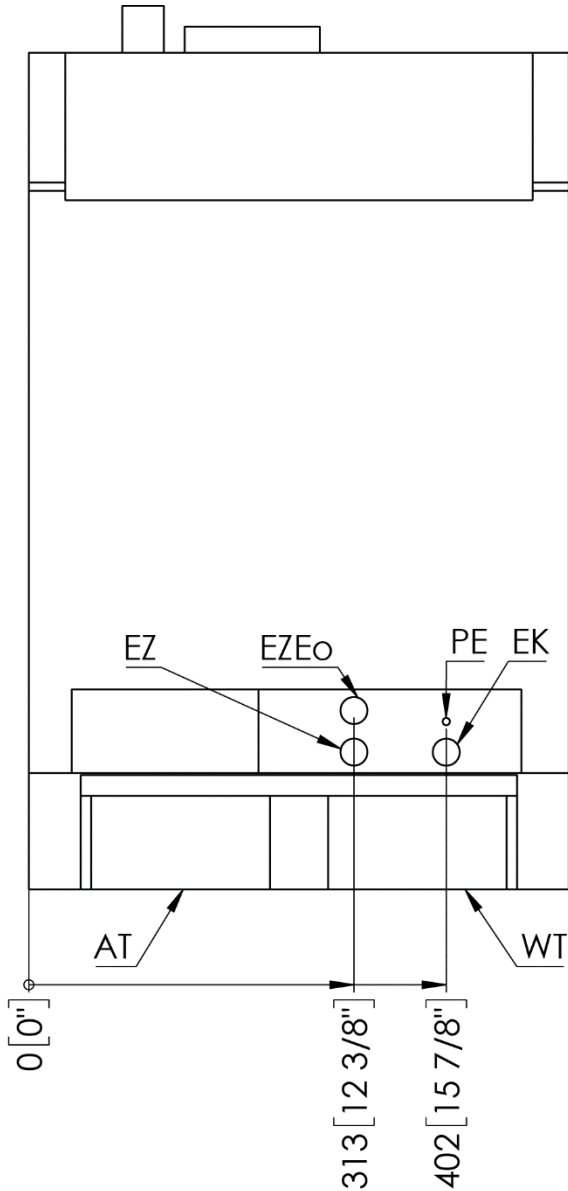
JOKER with ST module, fresh steam system and water tank module - 6-23, 6-43, 6-11

Dimensioned drawing 6-11, door stop on the right, control on the left



- Lzu Zuluftöffnung / Supply air opening
- Lku Luftansaugschacht Gerätekühlung/
Air intake for cooling
- Lrg Abluffrohr / Exhaust air pipe
- USB USB-Buchse / USB port

Connection diagram



Die Maße entsprechen auch der Variante mit Steuerung Seite (links)/

The dimensions also correspond to the variant with control on the left side

- AT Abwassertank
Waste water tank
- EK Kommunikationsanschluss (z.B. RS232, LAN)
Communications connection (e.g. RS232, LAN)
- EWk Anschluss Weichwasser
Connection for soft water
- EZ Stromversorgung
Power supply

- EZEo Optimierungsanlage
Power optimization
- PE Anschluss Potenzialausgleich
Connection for potential equalisation
- WT Frischwassertank
Fresh water tank

WE AT ELOMA WILL BE HAPPY TO HELP YOU WITH ANY QUESTION RELATING TO OUR
PRODUCTS

CUSTOMER SERVICE

T. +49 8141 395-188
F. +49 8141 395-164
sales@eloma.com

APPLICATION ADVICE

T. +49 8141 395-150
applications@eloma.com

TECHNICAL SERVICE

T. +49 35023 63-888
F. +49 8141 359-156
service@eloma.com



Eloma GmbH • Otto-Hahn-Str. 10 • 82216 Maisach/Germany
T. +49 8141 395-0 • F. +49 8141 395-130 • sales@eloma.com
eloma.com

an Ali Group Company



The Spirit of Excellence